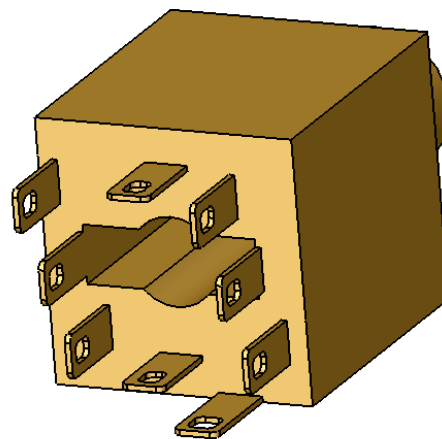
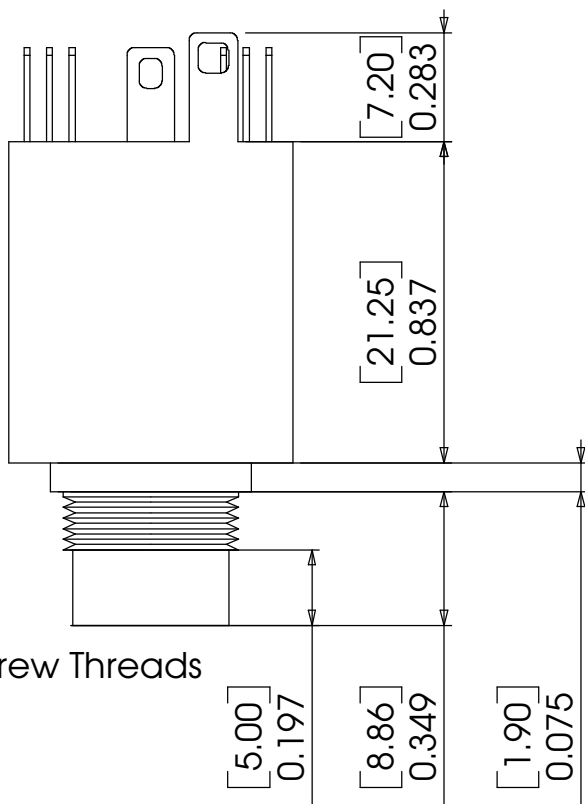
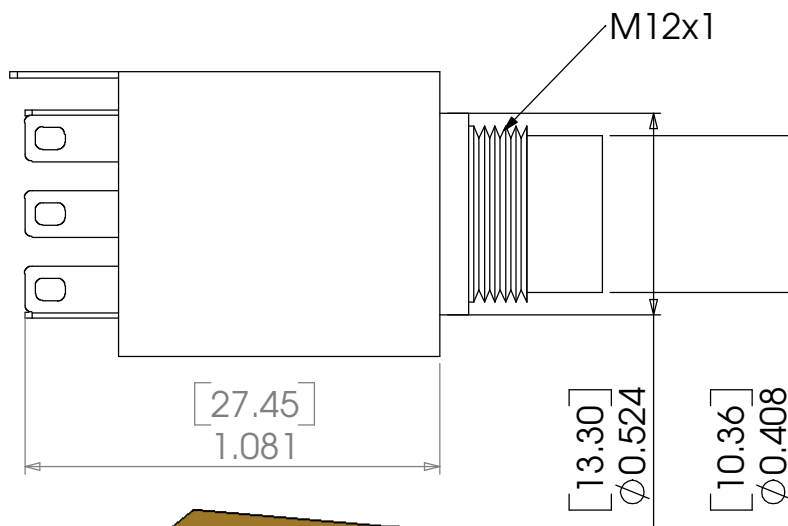
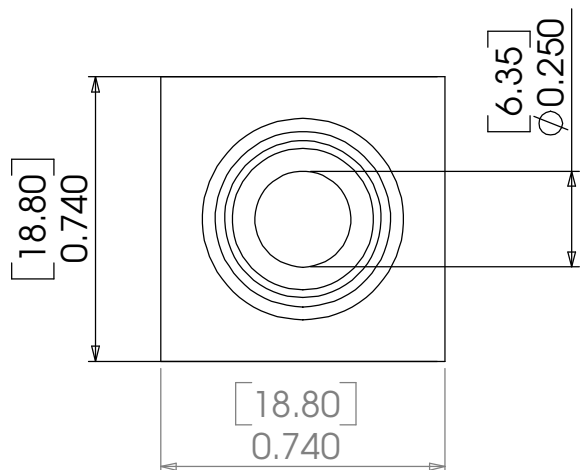


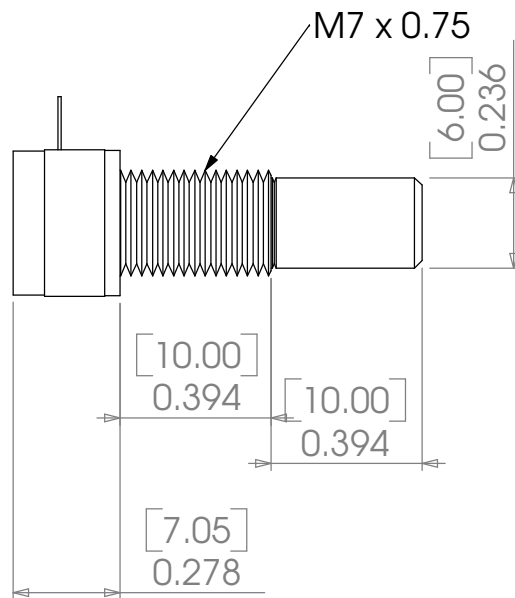
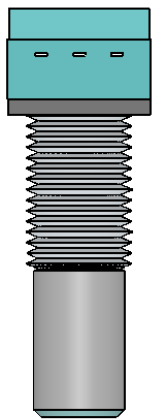
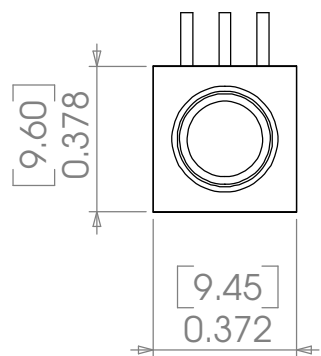
UNLESS OTHERWISE SPECIFIED DIMENSIONS ARE IN INCHES TOLERANCES ARE: 1 PLC. DEC. +/- 0.1 2 PLC. DEC. +/- 0.05 ANGLES +/- 0.5 DEG.	CAD GENERATED DRAWING. DO NOT MANUALLY UPDATE DO NOT SCALE DRAWING	Audere Engineering - David Meadows 2123 NW Alcock # 1202, Hillsboro OR. 97124 503 645 0250	
	OWN: DM 11/25/05	Standard Input Jack	
MATERIAL	CHK.	SIZE A	DWG. NO.
FINISH	HISTORY	SCALE	CAD FILE:
			REV. 1
			SHEET 1



Lots of Terminals

Best used with a control plate

UNLESS OTHERWISE SPECIFIED DIMENSIONS ARE IN INCHES TOLERANCES ARE: 1 PLC. DEC. +/- 0.1 2 PLC. DEC. +/- 0.05 ANGLES +/- 0.5 DEG.	CAD GENERATED DRAWING. DO NOT MANUALLY UPDATE DO NOT SCALE DRAWING	Audere Engineering - David Meadows 2123 NW Alcock # 1202, Hillsboro OR. 97124 503 645 0250	
	OWN DM 11/25/05	NO-SPIKE Input Jack	
MATERIAL	CHK.	SIZE A	DWG. NO.
FINISH	HISTORY	SCALE	CAD FILE:
			REV. 1
			SHEET



UNLESS OTHERWISE SPECIFIED  
DIMENSIONS ARE IN INCHES  
TOLERANCES ARE:  
1 PLC. DEC. +/- 0.1  
2 PLC. DEC. +/- 0.05  
ANGLES +/- 0.5 DEG.

CAD GENERATED DRAWING.  
DO NOT MANUALLY UPDATE  
DO NOT SCALE DRAWING

Audere Engineering - David Meadows  
2123 NW Alciek # 1202,  
Hillsboro OR. 97124  
503 645 0250

OWN: DM 01/02/05

CHK.

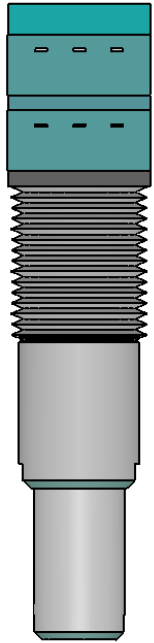
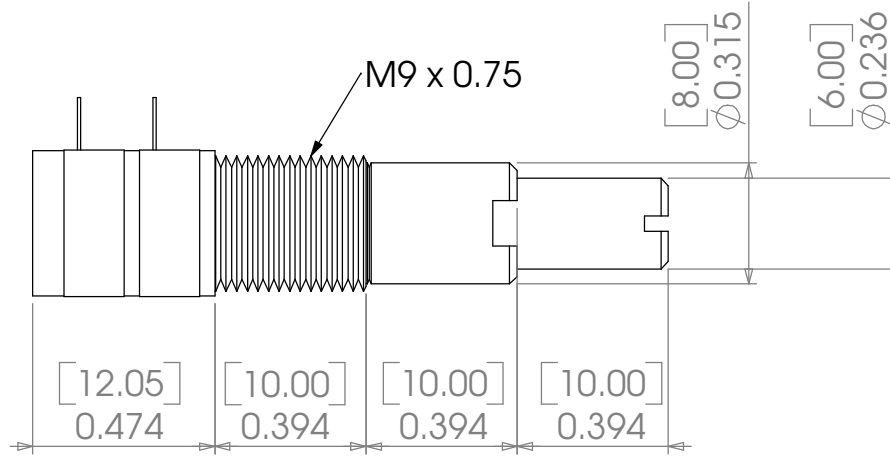
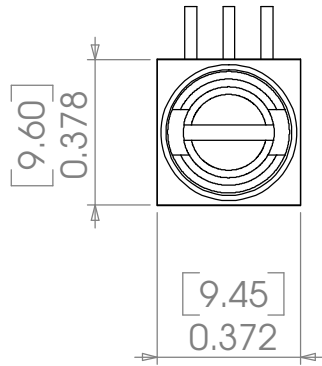
HISTORY

MATERIAL

FINISH

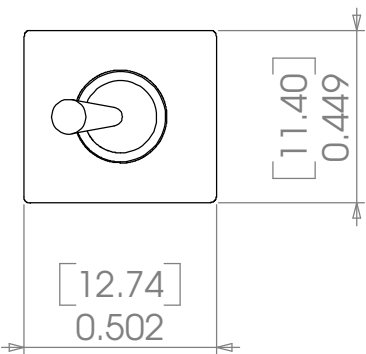
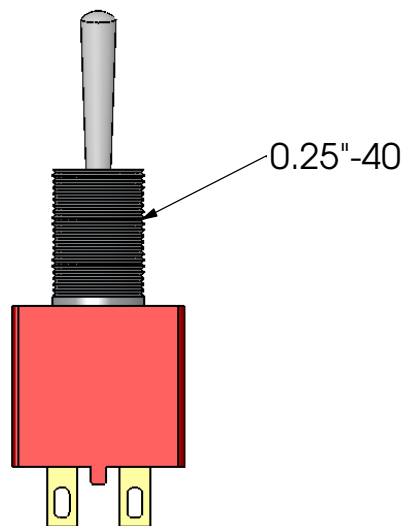
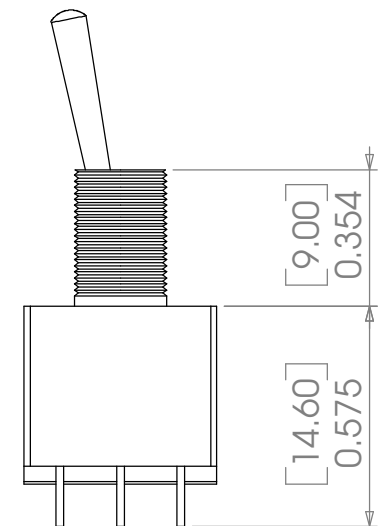
Pot

SIZE A	DWG. NO.	REV. 2
SCALE	CAD FILE:	SHEET 1

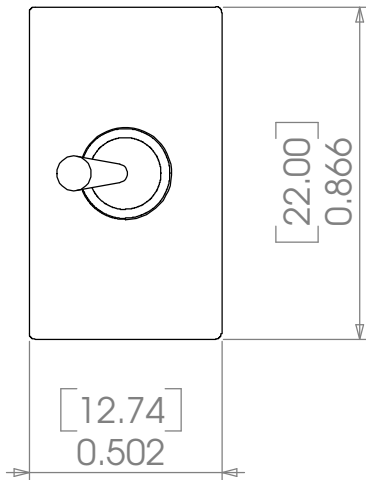
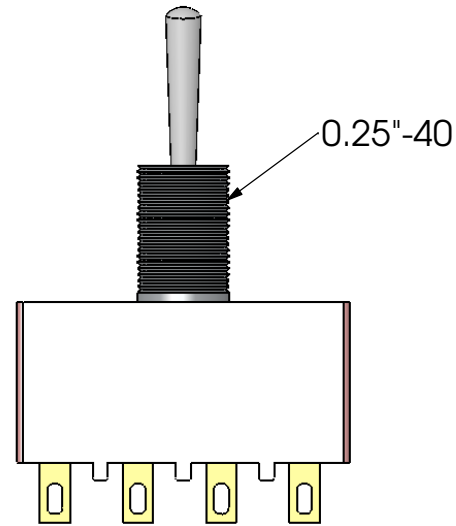
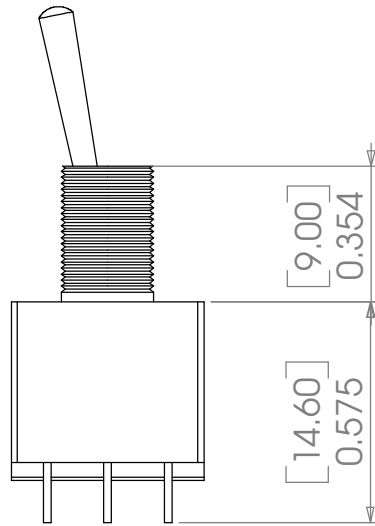


UNLESS OTHERWISE SPECIFIED DIMENSIONS ARE IN INCHES TOLERANCES ARE: 1 PLC. DEC. +/- 0.1 2 PLC. DEC. +/- 0.05 ANGLES +/- 0.5 DEG.	CAD GENERATED DRAWING. DO NOT MANUALLY UPDATE DO NOT SCALE DRAWING		Audere Engineering - David Meadows 2123 NW Alcielek # 1202, Hillsboro OR. 97124 503 645 0250	
	OWN	DATE	<b>Stacked Pots</b>	
	CHK.	DM 11/25/05		
MATERIAL	HISTORY		SIZE	DWG. NO.
FINISH			A	
			SCALE	CAD FILE:
			SHEET	

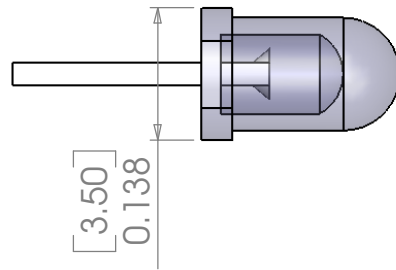
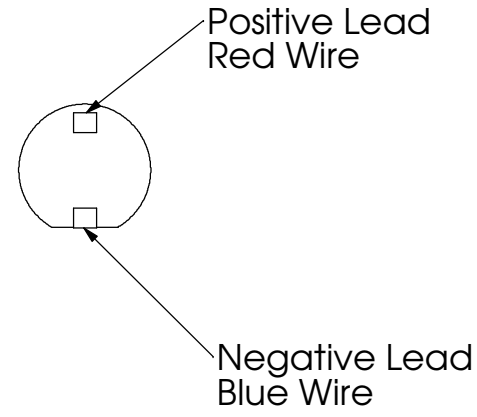
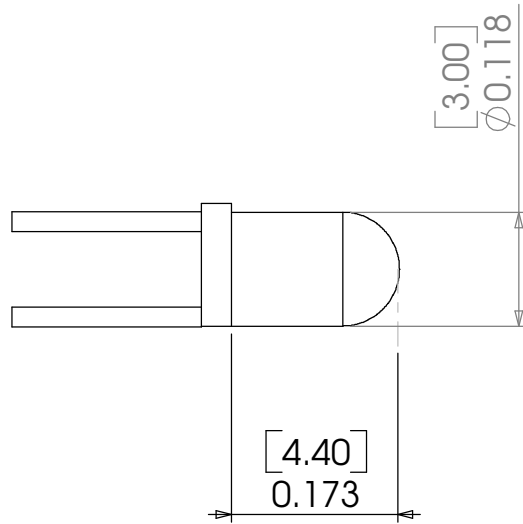
REV. 1



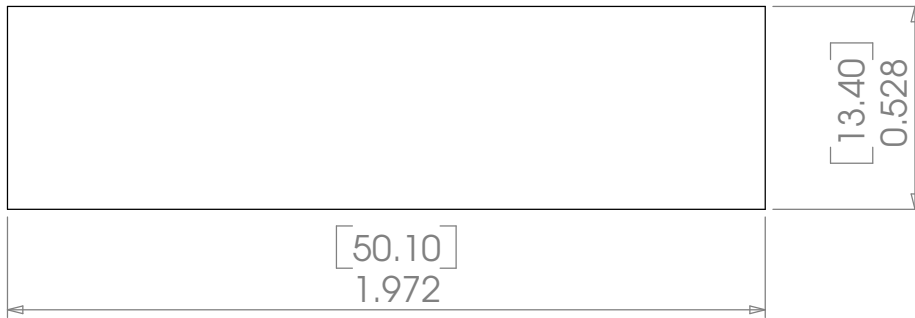
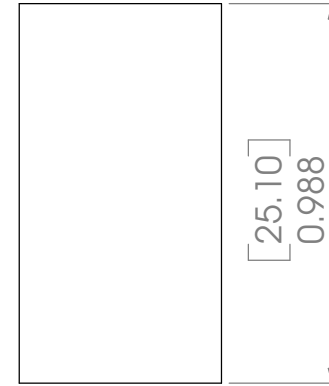
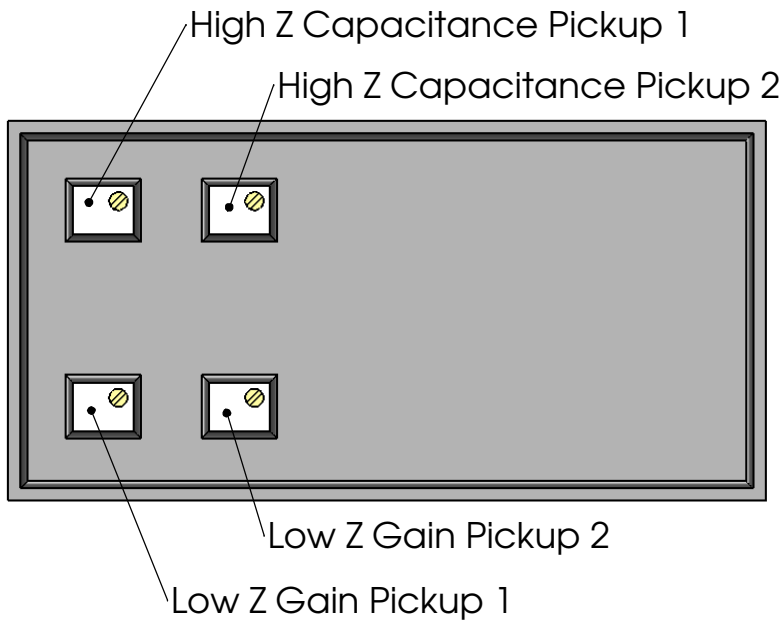
UNLESS OTHERWISE SPECIFIED DIMENSIONS ARE IN INCHES TOLERANCES ARE: 1 PLC. DEC. +/- 0.1 2 PLC. DEC. +/- 0.05 ANGLES +/- 0.5 DEG.	CAD GENERATED DRAWING. DO NOT MANUALLY UPDATE DO NOT SCALE DRAWING	Audere Engineering - David Meadows 2123 NW Alciek # 1202, Hillsboro OR. 97124 503 645 0250	
	OWN <b>DM</b> DATE <b>11/25/05</b>	<b>DPDT Switch</b>	
MATERIAL	CHK.	SIZE A	DWG. NO.
FINISH	HISTORY	SCALE	CAD FILE:
		SHEET	REV. <b>1</b>



UNLESS OTHERWISE SPECIFIED DIMENSIONS ARE IN INCHES TOLERANCES ARE: 1 PLC. DEC. +/- 0.1 2 PLC. DEC. +/- 0.05 ANGLES +/- 0.5 DEG.	CAD GENERATED DRAWING. DO NOT MANUALLY UPDATE DO NOT SCALE DRAWING	Audere Engineering - David Meadows 2123 NW Alciek # 1202, Hillsboro OR. 97124 503 645 0250	
	OWN <b>DM 11/25/05</b>	4Pole 2Throw Switch	
MATERIAL	CHK.	SIZE A	DWG. NO.
FINISH	HISTORY	SCALE	CAD FILE:
			REV. <b>1</b>
			SHEET



UNLESS OTHERWISE SPECIFIED DIMENSIONS ARE IN INCHES TOLERANCES ARE: 1 PLC. DEC. +/- 0.1 2 PLC. DEC. +/- 0.05 ANGLES +/- 0.5 DEG.	CAD GENERATED DRAWING. DO NOT MANUALLY UPDATE DO NOT SCALE DRAWING	Audere Engineering - David Meadows 2123 NW Alcielek # 1202, Hillsboro OR. 97124 503 645 0250	
	OWN DATE DM 11/25/05	Blue LED	
MATERIAL	CHK.	SIZE A	DWG. NO.
FINISH	HISTORY	SCALE	REV. 1
		CAD FILE:	SHEET 1



UNLESS OTHERWISE SPECIFIED DIMENSIONS ARE IN INCHES TOLERANCES ARE: 1 PLC. DEC. +/- 0.1 2 PLC. DEC. +/- 0.05 ANGLES +/- 0.5 DEG.	CAD GENERATED DRAWING. DO NOT MANUALLY UPDATE DO NOT SCALE DRAWING		Audere Engineering - David Meadows 2123 NW Alcielek # 1202, Hillsboro OR. 97124 503 645 0250		
	DATE: <b>DM 11/25/05</b>		<b>Bass Module</b>		
	MATERIAL	CHK.			SIZE A
FINISH	HISTORY		SCALE	CAD FILE:	SHEET